

Form U3474 (185)
Part No. 409839-002
Printed in Japan

MACHINE PARTS CHART **for** **SINGER***

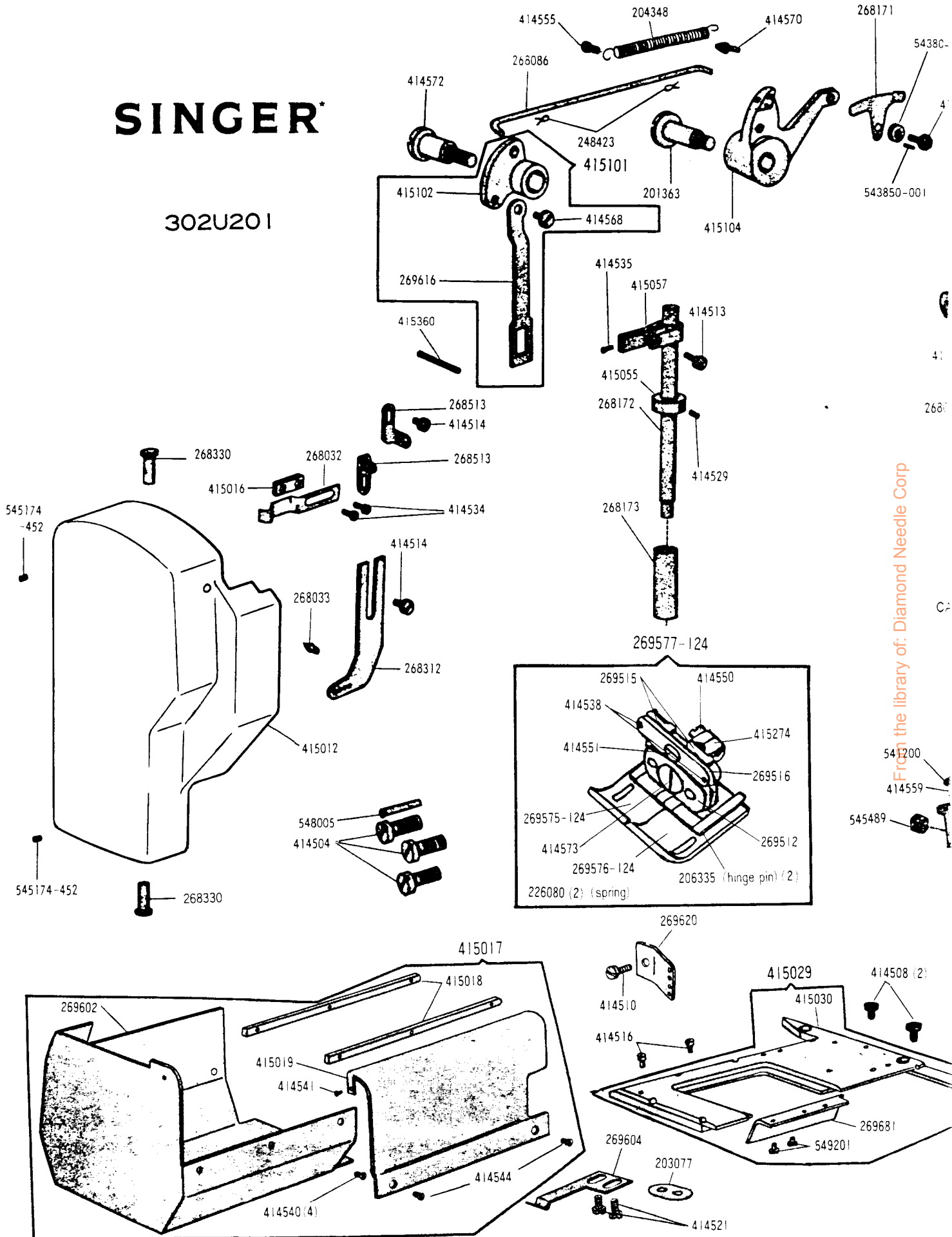
302_{U201}

From the library of: Diamond Needle Corp

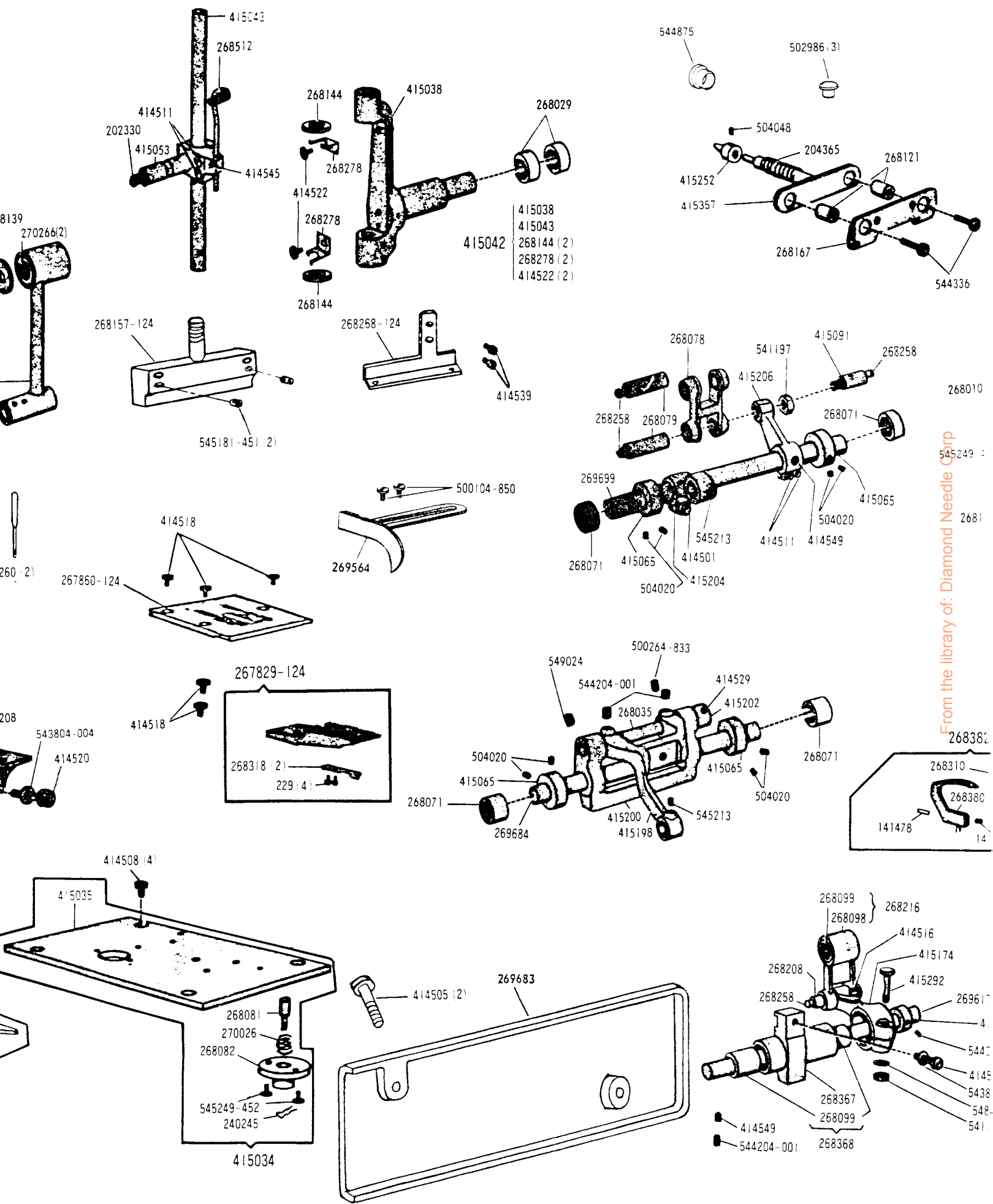
* A Trademark of THE SINGER COMPANY
Copyright © 1985 THE SINGER COMPANY
All Rights Reserved Throughout The World

SINGER

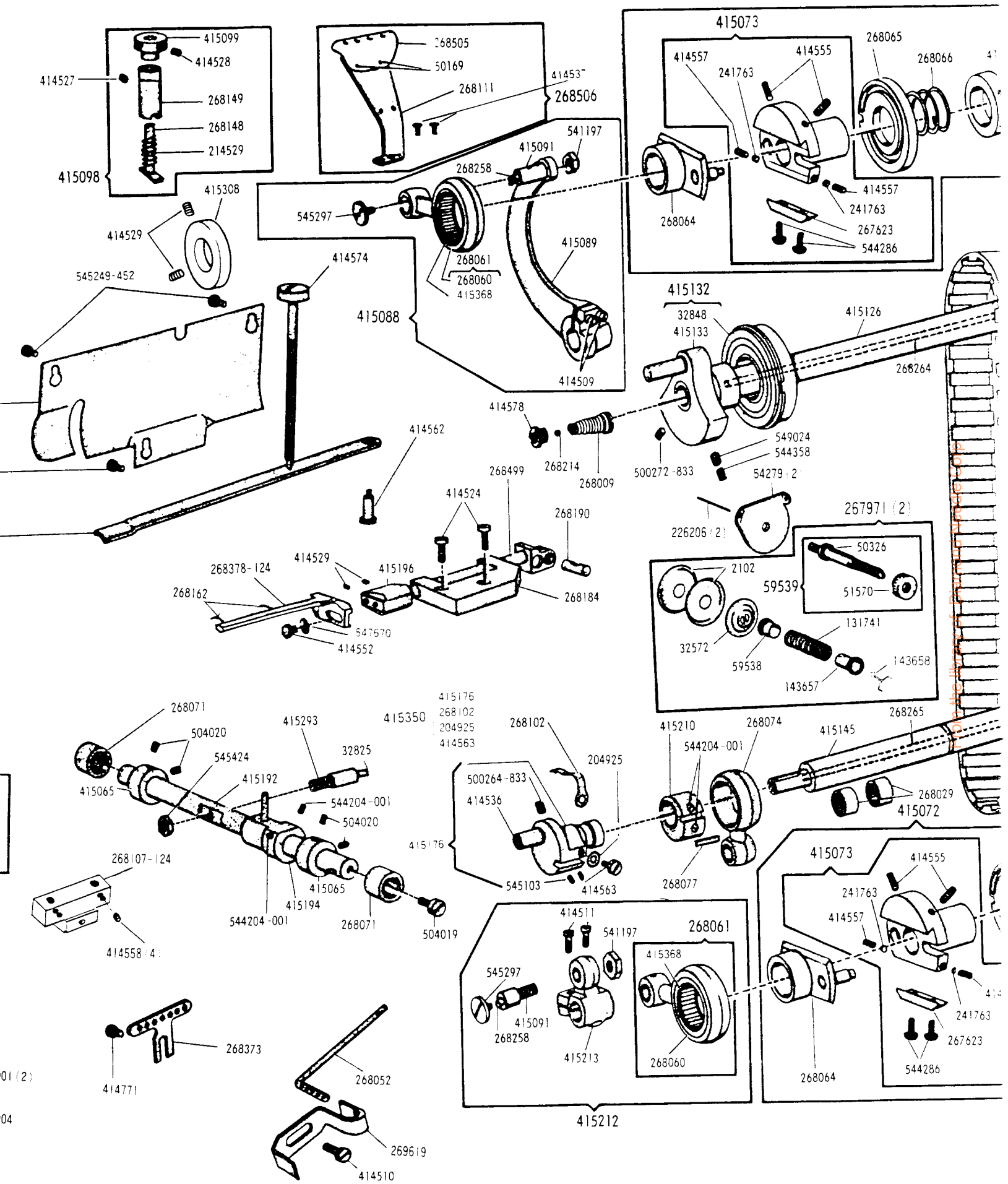
302U201



From the library of: Diamond Needle Corp

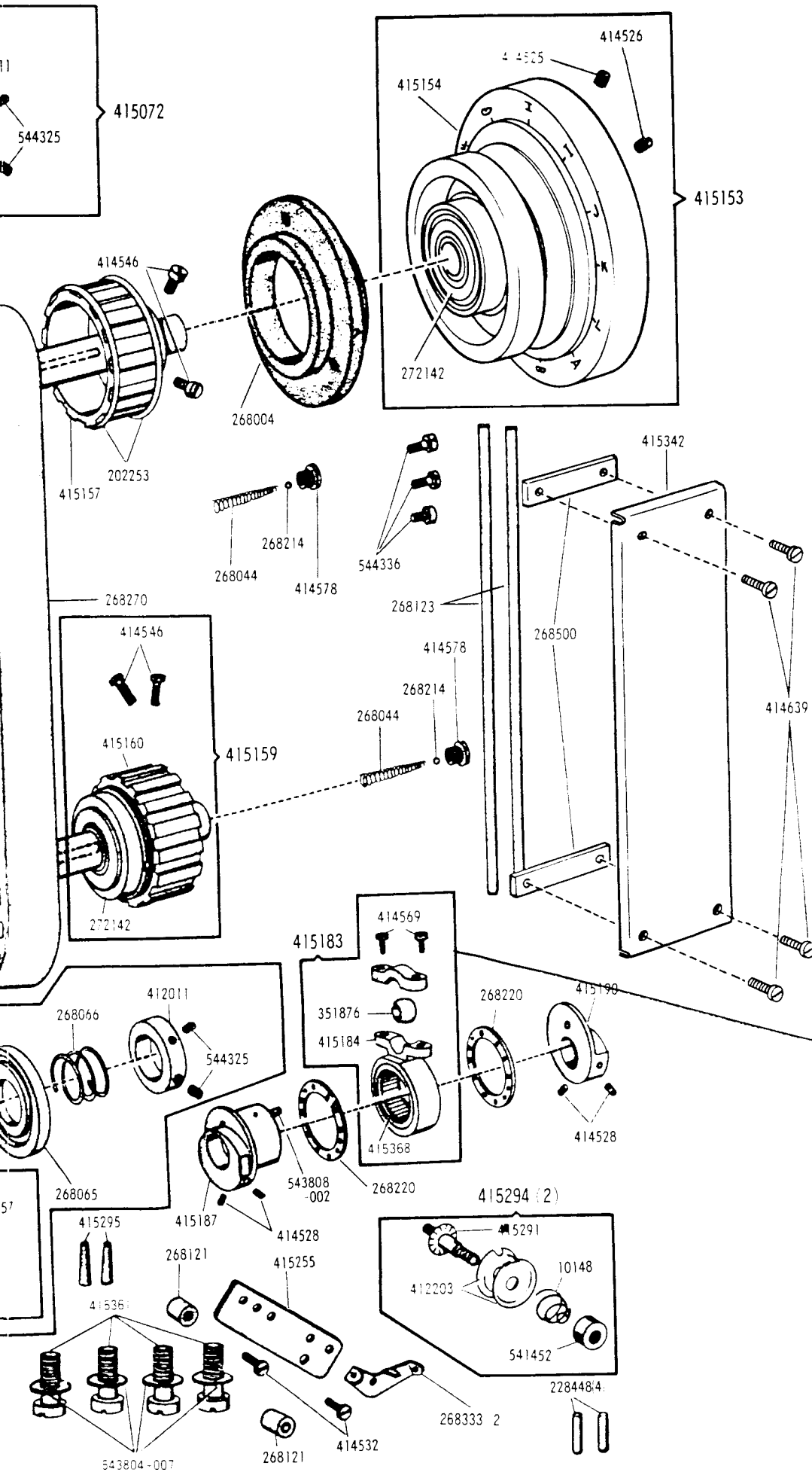


From the library of: Diamond Needle Corp.



01 (2)

04



This part is now fitted with pressed-in Spherical br., to Carb. - 415183 remains P/N. but new br P/N. is 281248.

NUMERICAL LIST OF PARTS 302U201 MACHINE

| PART NO. | DESCRIPTION | PART NO. | DESCRIPTION |
|------------|---|------------|--|
| 229 | Loop Deflector Screw (4) | 268121 | Looper Thread Tension Bracket Spacing Collar (2) |
| 2102 | Needle Thread Tension Disc (4) | 268121 | Needle Thread Tension Bracket Spacing Collar (2) |
| 10148 | Looper Thread Tension Spring (2) | 268123 | Looper Thread Tube (2) |
| 32572 | Needle Thread Tension Releasing Disc (2) | 268139 | Needle Bar Connecting Link Cap Washer |
| 32825 | Spreader Driving Rock Shaft Screw Stud Oil Packing (wick) | 268144 | Needle Bar Oiling Felt (2) |
| 32848 | Arm Shaft Ball Bearing (front) | 268148 | Needle Bar Rock Frame Regulating Stud |
| 50169 | Looper Thread Guide (top of arm) Bracket Screw (2) | 268149 | Needle Bar Rock Frame Regulating Stud Sleeve |
| 50326 | Needle Thread Tension Stud (2) | 268157-124 | Needle Holder with two 545181-451 |
| 51570 | Needle Thread Tension Thumb Nut (2) | 268162 | Spreader Point (2) |
| 54279 | Needle Thread Tension Thread Guide (double) (2) | 268167 | Needle Thread Tension Bracket |
| 59538 | Needle Thread Tension Spring Bushing (back) (2) | 268171 | Needle Thread Tension Releasing Plate (adjustable) |
| 59539 | Needle Thread Tension Stud 50326 with 51570 (2) | 268172 | Presser Bar |
| 131741 | Needle Thread Tension Spring (2) | 268173 | Presser Bar Bushing |
| 141478 | Needle Guard Set Screw (back) (2) | 268176 | Presser Bar Spring |
| 141494 | Needle Guard Set Screw (front) (2) | 268184 | Spreader Bar Bracket |
| 143657 | Needle Thread Tension Spring Bushing (front) (2) | 268190 | Spreader Driving Pin |
| 143658 | Needle Thread Tension Thumb Nut Locking Spring (2) | 268208 | Looper Carrier Crank Hinge Pin with 268258 |
| 201363 | Foot Lifter Lever Hinge Screw | 268214 | Arm Shaft Oil Stop Ball 5/32 in. Diam. (2) |
| 202253 | Arm Shaft Connection Belt Pulley Spring Flange (2) | 268214 | Bed Shaft Oil Stop Ball |
| 202330 | Needle Bar Connecting Stud Oil Packing (wick) | 268216 | Looper Driving Connection 268098 with 268099 |
| 203077 | Bed (elliptical) Cover Lock Spring Screw Washer | 268220 | Spreader Driving Eccentric Thrust Washer (2) |
| 204348 | Foot Lifter Lever Spring | 268258 | Feed Driving Connection Hinge Stud Oil Packing (wick) |
| 204365 | Needle Thread Tension Releaser Spring | 268258 | Feed Lifting Link Hinge Pin Oil Packing (wick) (2) |
| 204925 | Looper Driving Crank Oil Hole Cover Screw Washer | 268258 | Looper Carrier Crank Hinge Pin Oil Packing (wick) |
| 206335 | Presser Foot Plate Hinge Pin (2) | 268258 | Needle Bar Rock Frame Driving Connection Hinge Stud Oil Packing (wick) |
| 214529 | Needle Bar Rock Frame Regulating Stud Spring | 268258 | Feed Lifting Connection Hinge Stud Oil Packing (wick) |
| 226080 | Presser Foot Plate Spring (2) | 268264 | Arm Shaft Oil Control Rod (wood) |
| 226206 | Needle Thread Tension Releasing Pin (2) | 268265 | Bed Shaft Oil Control Rod (wood) |
| 228448 | Machine Locating Stud (4) | 268268-124 | Needle Bar Rock Frame Thread Guide with two 414539 |
| 240215 | Feed Regulating Stud Retaining Spring | 268270 | Arm Shaft Connection Belt (reinforced neoprene) |
| 241763 | Feed Driving Eccentric Friction Plate Screw Set Screw Packing (brass) (2) | 268278 | Needle Bar Oiling Felt Holder (2) |
| 241763 | Needle Bar Rock Frame Driving Eccentric Friction Plate Screw Set Screw Packing (brass) (2) | 268310 | Needle Guard (2) |
| 248423 | Foot Lifter Lever Rod Cotter Pin (2) | 268312 | Needle Thread Guide (on arm head) |
| 267623 | Feed Driving Eccentric Friction Plate | 268318 | Loop Deflector (2) |
| 267623 | Needle Bar Rock Frame Driving Eccentric Friction Plate | 268330 | Face Plate Hinge Stud (2) |
| 267829-124 | Feed Dog (teeth cut 15 to the inch) with two 268318 and four 229 for 267860-124 | 268333 | Looper Thread Tension Thread Guide (2) |
| 267860-124 | Throat Plate | 268367 | Looper Carrier |
| 267971 | Needle Thread Tension complete, Nos. 32572, 59538, 59539, 131741, 143657, 143658 and two 2102 (2) | 268368 | Looper Carrier 268367 with two 268099 |
| 268904 | Arm Shaft Ball Bearing (back) Housing | 268373 | Looper Thread Guide (on bed at looper) for all gauges from 3/16 to 2 inches |
| 268909 | Arm Shaft Oil Stop Ball Spring (front) | 268378-124 | Spreader with two 268162 |
| 268910 | Arm Side Cover | 268380 | Looper with 141478 and 141494 (2) |
| 268929 | Bed Shaft Needle Bearing (2) | 268382 | Looper and Needle Guard complete, Nos. 268310 and 268380 (2) |
| 268929 | Needle Bar Rock Frame Needle Bearing (2) | 268499 | Spreader Bar complete |
| 268932 | Face Plate Lock Spring | 268500 | Looper Thread Tube Gasket (2) |
| 268933 | Face Plate Lock Stud | 268505 | Looper Thread Guide (top of arm) |
| 268935 | Feed Bar Hinge Pin | 268506 | Looper Thread Guide (top of arm) Bracket 268111 with 268505 and two 50169 |
| 268944 | Arm Shaft Oil Stop Ball Spring (rear) | 268512 | Needle Thread Guide (on needle bar connecting stud) |
| 268952 | Bed Shaft Oil Stop Ball Spring | 268513 | Needle Thread Guide (on side of arm and arm head) (2) |
| 268956 | Looper Thread Take-up Rod | 269512 | Presser Foot Connection Lever |
| 268956 | Needle Bar Connecting Link with two 270266 | 269515 | Presser Foot Plate Shank complete (2) |
| 268960 | Feed Driving Connection | 269564 | Presser Foot Shank Guide Plate |
| 268960 | Needle Bar Rock Frame Driving Connection | 269575-124 | Edge Guide |
| 268961 | Feed Driving Connection 268060 with 415368 | 269576-124 | Presser Foot Plate (left) |
| 268961 | Needle Bar Rock Frame Driving Connection 268060 with 415368 | 269577-124 | Presser Foot Plate (right) |
| 268964 | Feed Driving Eccentric | 269602 | Presser Foot (hinged compensating) complete, Nos. 269512, 269516, 269575-124, 269576-124, 414551, 414573, 415274, two each 206335, 226080, 269515 and 414538 |
| 268964 | Needle Bar Rock Frame Driving Eccentric | 269604 | Bed (elliptical) Cover with Lock Stud |
| 268965 | Feed Driving Eccentric Adjusting Disc | 269616 | Bed (elliptical) Cover Lock Spring |
| 268965 | Needle Bar Rock Frame Driving Eccentric Adjusting Disc | 269617 | Foot Lifter Lifting Link |
| 268966 | Feed Driving Eccentric Adjusting Disc Spring | 269619 | Looper Carrier Shaft |
| 268966 | Needle Bar Rock Frame Driving Eccentric Adjusting Disc Spring | 269620 | Looper Thread Guide (on front) |
| 268971 | Feed Driving Rock Shaft Needle Bearing (2) | 269681 | Looper Thread Guide (on Bed) (under cover) |
| 268971 | Feed Lifting Rock Shaft Needle Bearing (2) | 269683 | Bed Plate (left) Guard |
| 268971 | Spreader Driving Rock Shaft Needle Bearing (2) | 269684 | Bed Side Cover (back) |
| 268974 | Feed Lifting Connection | 269699 | Feed Driving Rock Shaft |
| 268977 | Feed Lifting Eccentric Lubricating Pad (wood) | 270026 | Feed Lifting Rock Shaft |
| 268978 | Feed Lifting Link | 270266 | Feed Regulating Stud Spring |
| 268979 | Feed Lifting Link Hinge Pin with 268258 (2) | 272142 | Needle Bar Connecting Link Needle Bearing (2) |
| 268981 | Feed Regulating Stud | 272142 | Arm Shaft Ball Bearing (back) |
| 268982 | Feed Regulating Stud Socket | 351876 | Bed Shaft Ball Bearing |
| 268986 | Foot Lifter Lever Rod | 412011 | Spreader Driving Rock Shaft Screw Stud Ball Roller |
| 268998 | Looper Driving Connection | 412011 | Feed Driving Eccentric Adjusting Disc Spring Collar with two 544325 |
| 268999 | Looper Carrier Needle Bearing (2) | 412203 | Needle Bar Rock Frame Driving Eccentric Adjusting Disc Spring Collar with two 544325 |
| 268999 | Looper Driving Connection Needle Bearing | 414501 | Looper Thread Tension Disc (4) |
| 268102 | Looper Driving Crank Oil Hole Cover | 414501 | Feed Lifting Crank Pinch Screw |
| 268107-124 | Looper Holder with four 414558 | 414504 | Arm Head Screw (3) |
| 268111 | Looper Thread Guide (top of arm) Bracket | | |

From the library of: Diamond Needle Corp

NUMERICAL LIST OF PARTS 302U201 MACHINE

| PART NO. | DESCRIPTION | PART NO. | DESCRIPTION |
|----------|---|----------|--|
| 414505 | Bed Side Cover (back) Screw (2) | 415030 | Bed Plate (left) |
| 414508 | Bed Plate (left) Screw (2) | 415034 | Bed Plate (right) 415035 with 240245, 268081, 268082, 270026 and two 545249-452 |
| 414508 | Bed Plate Screw (4) | | |
| 414509 | Needle Bar Rock Frame Driving Arm Pinch Screw (2) | 415035 | Bed Plate (right) |
| 414510 | Looper Thread Guide (on Bed) (under cover) Screw | 415038 | Needle Bar Rock Frame |
| 414510 | Looper Thread Guide Screw | 415042 | Needle Bar Rock Frame 415038 with 415043, two each 268144, 268278 and 414522 |
| 414511 | Feed Driving Rock Shaft Crank Pinch Screw (2) | | |
| 414511 | Feed Lifting Rock Shaft Crank Pinch Screw (2) | 415043 | Needle Bar |
| 414511 | Needle Bar Connecting Stud Pinch Screw (2) | 415053 | Needle Bar Connecting Stud with 202330, 414545 and two 414511 |
| 414513 | Presser Bar Guide Bracket Pinch Screw | | |
| 414514 | Needle Thread Guide Screw (2) | 415055 | Presser Bar Stop Collar with 414529 |
| 414516 | Bed Plate (left) Screw (2) | 415057 | Presser Bar Guide Bracket with 414513 and 414535 |
| 414516 | Looper Carrier Crank Hinge Pin Pinch Screw | 415065 | Feed Driving Rock Shaft Collar with two 504020 (2) |
| 414517 | Needle Bar Connecting Link Cap Washer Screw | 415065 | Feed Lifting Rock Shaft Collar with two 504020 (2) |
| 414518 | Feed Dog Screw (2) | 415065 | Spreader Driving Rock Shaft Collar with two 504020 (2) |
| 414518 | Throat Plate Screw (3) | | |
| 414520 | Feed Dog Shank Screw | 415072 | Feed Driving Eccentric complete, Nos. 268064, 268065, 268066, 412011 and 415073 |
| 414521 | Bed (elliptical) Cover Lock Spring Screw (2) | 415072 | Needle Bar Rock Frame Driving Eccentric complete, Nos. 268064, 268065, 268066, 412011 and 415073 |
| 414522 | Needle Bar Oiling Felt Holder Screw (2) | | |
| 414524 | Spreader Bar Bracket Screw (2) | 415073 | Feed Driving Eccentric Flange with 267623, two each 241763, 414555, 414557 and 544286 |
| 414525 | Machine Pulley Set Screw | | |
| 414526 | Machine Pulley Position Screw | 415073 | Needle Bar Rock Frame Driving Eccentric Flange with 267623, two each 241763, 414555, 414557 and 544286 |
| 414527 | Needle Bar Rock Frame Regulating Stud Sleeve Set Screw | | |
| 414528 | Needle Bar Rock Frame Regulating Stud Cap Set Screw | 415088 | Needle Bar Rock Frame Driving Arm 415089 with 268061, 415091, 541197 and 545297 |
| 414528 | Spreader Driving Eccentric Set Screw (2) | 415089 | Needle Bar Rock Frame Driving Arm with two 414509 |
| 414528 | Spreader Driving Eccentric Counterbalance Set Screw (2) | 415091 | Feed Driving Connection Hinge Stud with 268258 |
| | | 415091 | Feed Lifting Connection Hinge Stud with 268258 |
| 414529 | Feed Bar Hinge Pin Collar Set Screw | 415091 | Needle Bar Rock Frame Driving Connection Hinge Stud with 268258 |
| 414529 | Lifting Eccentric Spacing Collar Screw (2) | | |
| 414529 | Presser Bar Stop Collar Set Screw | 415098 | Needle Bar Rock Frame Regulating Stud complete, Nos. 214529, 268148, 268149 and 415099 |
| 414529 | Spreader Holder Set Screw (2) | | |
| 414531 | Needle Thread Tension Releasing Plate Screw | 415099 | Needle Bar Rock Frame Regulating Stud Cap with 414528 |
| 414532 | Looper Thread Tension Bracket Screw (2) | | |
| 414534 | Face Plate Lock Spring Screw (2) | 415101 | Foot Lifter Bell Crank 415102 with 269616 and 414568 |
| 414535 | Presser Bar Guide Bracket Adjusting Screw | | |
| 414536 | Looper Driving Crank Oil Stop Screw | 415102 | Foot Lifter Bell Crank |
| 414537 | Looper Thread Guide (top of arm) Bracket Screw (2) | 415104 | Foot Lifter Lever with 543850-001 |
| 414538 | Presser Foot Bracket Guide Screw (2) | 415126 | Arm Shaft with 268009, 268044, 268264, two each 268214 and 414578 |
| 414539 | Needle Bar Rock Frame Thread Guide Screw (2) | | |
| 414540 | Bed (elliptical) Cover Slide Bar Screw (4) | 415132 | Needle Bar Crank 415133 with 32848 |
| 414541 | Bed (elliptical) Cover Section (front) Screw (upper) | 415133 | Needle Bar Crank with 500272-833, 544358 and 549024 |
| 414544 | Bed (elliptical) Cover Section (front) Screw (lower) (2) | | |
| 414545 | Needle Thread Guide (on needle bar connecting stud) Set Screw | 415145 | Bed Shaft with 268044, 268214, 268265 and 414578 |
| | | 415153 | Machine Pulley 415154 with 272142 |
| 414546 | Arm Shaft Connection Belt Pulley Set Screw (2) | 415154 | Machine Pulley (aluminum alloy casting) for "V" Belt (outside diam. of belt groove 2.9 in.) with 414525 and 414526 |
| 414546 | Bed Shaft Connection Belt Pulley Set Screw (2) | | |
| 414549 | Feed Lifting Rock Shaft Crank Position Screw | 414157 | Arm Shaft Connection Belt Pulley with two each 202253 and 414546 |
| 414549 | Looper Carrier Shaft Set Screw | | |
| 414550 | Presser Foot Bracket Pinch Screw | 415159 | Bed Shaft Connection Belt Pulley 415160 with 272142 |
| 414551 | Presser Foot Shank Guide Plate Hinge Screw | 415160 | Bed Shaft Connection Belt Pulley with two 414546 |
| 414552 | Spreader Screw | 415172 | Looper Carrier Shaft Collar with two 544204-001 |
| 414553 | Looper Holder Screw | 415174 | Looper Carrier Crank with 414516 |
| 414555 | Feed Driving Eccentric Flange Set Screw (2) | 415176 | Looper Driving Crank complete, Nos. 414536, 500264-833 and two 545103 |
| 414555 | Needle Bar Rock Frame Driving Eccentric Flange Set Screw (2) | | |
| 414555 | Presser Bar Spring Adjusting Screw Set Screw | 415183 | Spreader Driving Connection 415184 with 351876 and 415368 |
| 414557 | Feed Driving Eccentric Friction Plate Screw Set Screw (2) | 415184 | Spreader Driving Connection with two 414569 |
| | | 415187 | Spreader Driving Eccentric with 543808-002 and two 414528 |
| 414557 | Needle Bar Rock Frame Driving Eccentric Friction Plate Screw Set Screw (2) | | |
| 414558 | Looper Set Screw (4) | 415190 | Spreader Driving Eccentric Counterbalance with two 414528 |
| 414559 | Feed Dog Shank Adjusting Screw | | |
| 414562 | Presser Bar Spring Support Screw | 415192 | Spreader Driving Rock Shaft with 504019 |
| 414563 | Looper Driving Crank Oil Hole Cover Screw | 415194 | Spreader Driving Crank with two 544204-001 |
| 414568 | Foot Lifter Lifting Link Hinge Screw | 415196 | Spreader Holder with two 414529 |
| 414569 | Spreader Driving Connection Cap Screw (2) | 415198 | Feed Bar with 545213 and two 544204-001 |
| 414570 | Foot Lifter Lever Spring Screw Eye | 415200 | Feed Driving Rock Frame with 500264-833 and 549024 |
| 414572 | Foot Lifter Bell Crank Hinge Screw | | |
| 414573 | Presser Foot Connection Lever Hinge Screw | 415202 | Feed Bar Hinge Pin Collar with 414529 |
| 414574 | Presser Bar Spring Adjusting Screw | 415204 | Feed Lifting Crank with 414501 and 545213 |
| 414578 | Arm Shaft Oil Stop Ball Screw (2) | 415206 | Feed Lifting Rock Shaft Crank with 414549 and two 414511 |
| 414578 | Bed Shaft Oil Stop Ball Screw | | |
| 414639 | Looper Thread Tube Cover Screw (4) | 415208 | Feed Dog Shank with 414559 and 541200 |
| 414771 | Looper Thread Guide Screw | 415210 | Feed Lifting Eccentric with 268077 and two 544204-001 |
| 415012 | Face Plate with 268033 and two 545174-452 | | |
| 415016 | Face Plate Lock Spring Plate | 415212 | Feed Driving Rock Shaft Crank 415213 with 268061, 415091, 541197 and 545297 |
| 415017 | Bed (elliptical) Cover complete, Nos. 269602, 414541, 415019, two each 414544, 415018 and four 414540 | 415213 | Feed Driving Rock Shaft Crank with two 414511 |
| | | 415252 | Needle Thread Tension Releaser Cap with 504048 |
| 415018 | Bed (elliptical) Cover Slide Bar (2) | 415255 | Looper Thread Tension Bracket |
| 415019 | Bed (elliptical) Cover Section (front) | 415274 | Presser Foot Bracket with 414550 |
| 415029 | Bed Plate (left) and Guard complete, Nos. 269681, 415030 and two 549201 | 415291 | Looper Thread Tension Stud (2) |
| | | 415292 | Looper Carrier Crank Clamping Stud |

From the library of: Diamond Needle Corp

NUMERICAL LIST OF PARTS 302U201 MACHINE

| PART NO. | DESCRIPTION | PART NO. | DESCRIPTION |
|------------|---|---------------|--|
| 415293 | Spreader Driving Rock Shaft Screw Stud with 32825 | 415377 | Threader Wire |
| 415294 | Looper Thread Tension complete, Nos. 10148, 415291 541452 and two 412203 (2) | 415941-452 | Thread Unwinder complete |
| 415295 | Arm Position Pin (2) | 543162 | Tweezers |
| 415308 | Lifting Eccentric Spacing Collar with two 414529 | 546923 | Oiler with Oil Spout |
| 415342 | Looper Thread Tube Cover | Cat. No. 3260 | Needles (62 x 57) Size 22 (6) |
| 415350 | Looper Driving Crank 415176 with 204925, 268102 and 414563 | | |
| 415357 | Needle Thread Tension Releaser | | MACHINE BASE |
| 415360 | Foot Lifter Lifting Link Stop Pin | 222509 | Machine Base Side Cover Hinge Pin (2) |
| 415361 | Arm Screw (4) | 228444 | Machine Cushion (Neoprene) (4) |
| 415368 | Needle Bar Rock Frame Driving Connection Needle Bearing | 228661 | Machine Base Side Cover Cushion (Neoprene) |
| 415368 | Spreader Driving Connection Needle Bearing | 228831 | Machine Base with four 228444 |
| 415368 | Feed Driving Connection Needle Bearing | 228832 | Machine Base Side Cover |
| 500104-850 | Edge Guide Screw (2) | 228833 | Machine Base Side Cover Spring |
| 500264-833 | Looper Driving Crank Set Screw | 228834 | Machine Base complete, Nos. 228661, 228831, 228832, 228833, two each 222509, 414508, 414580, 500067-833, 500785-850 and 548459 |
| 500264-833 | Feed Driving Rock Frame Set Screw | 414508 | Machine Base Side Cover Spring Set Screw (2) |
| 500272-833 | Needle Bar Crank Set Screw | 414580 | Machine Base Side Cover Hinge Stud (2) |
| 502986 | Arm Head Plug (3) | 500067-833 | Machine Base Side Cover Hinge Pin Set Screw (2) |
| 504019 | Looper Thread Take-up Rod Set Screw | 500785-850 | Machine Base Side Cover Hinge Stud Nut (2) |
| 504020 | Feed Driving Rock Shaft Collar Set Screw (4) | 548459 | Machine Base Side Cover Hinge Stud Washer (2) |
| 504020 | Feed Lifting Rock Shaft Collar Set Screw (4) | | |
| 504020 | Spreader Driving Rock Shaft Collar Set Screw (4) | | |
| 504048 | Needle Thread Tension Releaser Cap Set Screw | | |
| 541197 | Feed Driving Connection Hinge Stud Nut | | |
| 541197 | Feed Lifting Connection Hinge Stud Nut | | |
| 541197 | Needle Bar Rock Frame Driving Connection Hinge Stud Nut | | |
| 541198 | Looper Carrier Crank Clamping Stud Nut | 415445 | Belt Guard Complete |
| 541200 | Feed Dog Shank Adjusting Screw Lock Nut | | |
| 541452 | Looper Thread Tension Thumb Nut (2) | | |
| 543804-004 | Feed Dog Shank Screw Washer | | |
| 543804-004 | Looper Holder Screw Washer | | |
| 543804-004 | Needle Thread Tension Releasing Plate Screw Washer | | |
| 543804-007 | Arm Screw Washer (4) | | |
| 543808-002 | Spreader Driving Eccentric Pin | | |
| 543850-001 | Needle Thread Tension Releasing Plate Pin | | |
| 544204-001 | Feed Lifting Eccentric Set Screw (2) | | |
| 544204-001 | Feed Bar Set Screw (2) | | |
| 544204-001 | Spreader Driving Crank Set Screw (2) | | |
| 544204-001 | Looper Carrier Shaft Set Screw Check Screw | | |
| 544204-001 | Looper Carrier Shaft Collar Set Screw (2) | | |
| 544286 | Feed Driving Eccentric Friction Plate Screw (2) | | |
| 544286 | Needle Bar Rock Frame Driving Eccentric Friction Plate Screw (2) | | |
| 544325 | Feed Driving Eccentric Adjusting Disc Spring Collar Set Screw (2) | | |
| 544325 | Needle Bar Rock Frame Driving Eccentric Adjusting Disc Spring Collar Set Screw (2) | | |
| 544336 | Needle Thread Tension Bracket Screw (2) | | |
| 544358 | Needle Bar Crank Position Screw Check Screw | | |
| 544875 | Arm Plug | | |
| 545103 | Looper Driving Crank Position Screw (2) | | |
| 545174-452 | Face Plate Hinge Stud Set Screw (2) | | |
| 545181-451 | Needle Set Screw (2) | | |
| 545213 | Feed Lifting Link Hinge Pin Set Screw (2) | | |
| 545249-452 | Arm Side Cover Screw (3) | | |
| 545249-452 | Feed Regulating Stud Socket Screw (2) | | |
| 545297 | Feed Driving Connection Cap Screw | | |
| 545297 | Needle Bar Rock Frame Driving Connection Cap Screw | | |
| 545424 | Spreader Driving Rock Shaft Screw Stud Nut | | |
| 545489 | Feed Dog Shank Screw Lock Nut | | |
| 547670 | Spreader Screw Washer | | |
| 548005 | Arm Head Position Pin | | |
| 548459 | Looper Carrier Crank Clamping Stud Washer | | |
| 549024 | Feed Driving Rock Frame Position Screw | | |
| 549024 | Needle Bar Crank Position Screw | | |
| 549201 | Bed Plate (left) Guard Screw (2) | | |
| CAT. 3260 | Needle (#22) (2) | | |

ACCESSORIES

| | |
|-----------|--|
| 21887 | Wrench |
| 41401 | Machine Rest Pin (wood) |
| 131265 | Machine Base Oil Drain Jar Extension Pipe (Male) |
| 131266 | Machine Base Oil Drain Jar Extension Pipe (Female) |
| 167448 | Machine Base Oil Drain Jar |
| 202784 | Foot Lifter Treadle Chain Hook (2) |
| 232365 | Foot Lifter Treadle Chain, 41-1/2 inches long |
| 268340 | Looper Threading Wire |
| 40981-002 | Operator's Guide |
| 414584 | Wood Screw (for Machine Base) (3) |
| 415347 | Oiler Nozzle and Tube Assembly |